



# SAAB

# SAAB 340A



### LEADING PARTICULARS

Maximum take-off weight	28500 lb	12925 kg
Maximum landing weight	27200 lb	12340 kg
Maximum zero fuel weight	25700 lb	11660 kg
Operational empty weight (average)	18800 lb	8530 kg
Maximum payload	6900 lb	3130 kg
Maximum fuel capacity	5690 lb	2580 kg
Maximum cruise speed	271 kt	
Maximum operating altitude	25000 ft	7620 m

### AIRFIELD PERFORMANCE

SL, optimal flaps		ISA	ISA +10°C	ISA +20°C
Maximum take-off weight	lb	28500	28500	28500
	kg	12925	12925	12925
Take-off distance required	ft	4425	4675	4900
	m	1350	1425	1495
5000 ft MSL, optimal flaps				
Maximum take-off weight	lb	28500	28325	26870
	kg	12925	12845	12190
Take-off distance required	ft	7405	7995	7375
	m	2255	2435	2250

### SECTOR PERFORMANCE

SL, ISA, optimal flaps, max cruise		100 nm	200 nm	300 nm	400 nm	500 nm
Take-off weight	lb	27370	27755	28105	28410	28500
	kg	12415	12590	12750	12885	12925
Block fuel	lb	605	990	1340	1645	1945
	kg	275	450	610	745	880
Block time (5 min ground time)	min	35	59	81	106	132
Passengers with baggage (220 lb/100 kg each)		31	31	31	31	30
5000 ft MSL, ISA +20°C, optimal flaps, max cruise		100 nm	200 nm	300 nm	400 nm	500 nm
Take-off weight	lb	26870	26870	26870	26870	26870
	kg	12190	12190	12190	12190	12190
Block fuel	lb	585	955	1295	1580	1865
	kg	265	435	585	715	845
Block time (5 min ground time)	min	34	58	79	104	128
Passengers with baggage (220 lb/100 kg each)		29	27	26	25	23

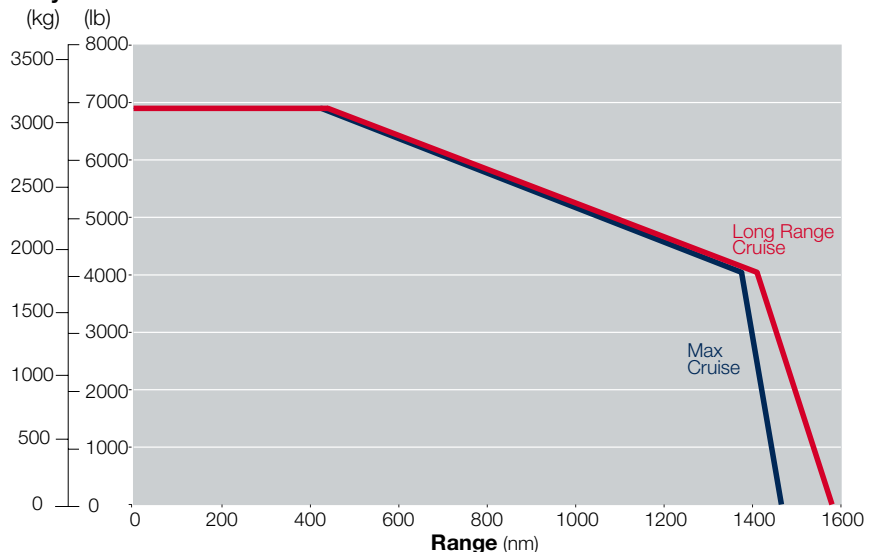
### PAYLOAD RANGE

	Max cruise	Long range cruise
31 passengers with baggage (220 lb/100 kg each)	450 nm	465 nm
Maximum payload	425 nm	440 nm

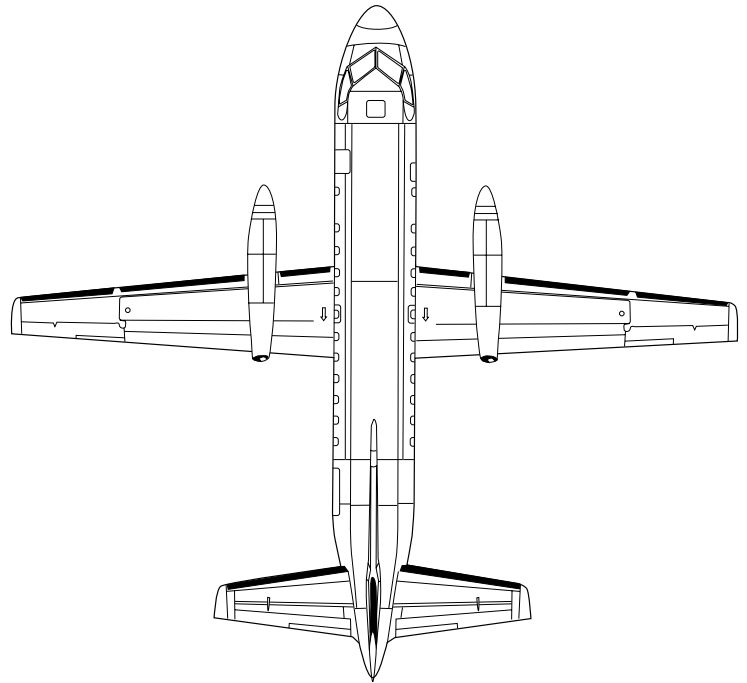
### CERTIFIED NOISE LEVELS

Fly-over	EPNdB	78.6
Sideline	EPNdB	85.9
Approach	EPNdB	91.5

### Payload

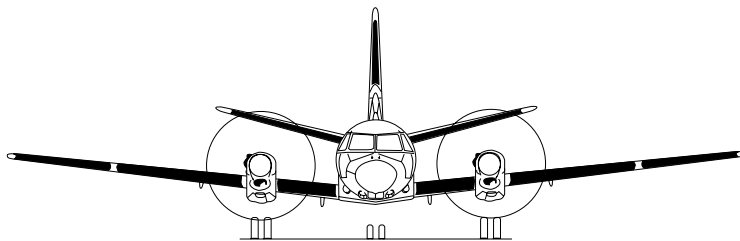


# SAAB 340A



## LEADING PARTICULARS

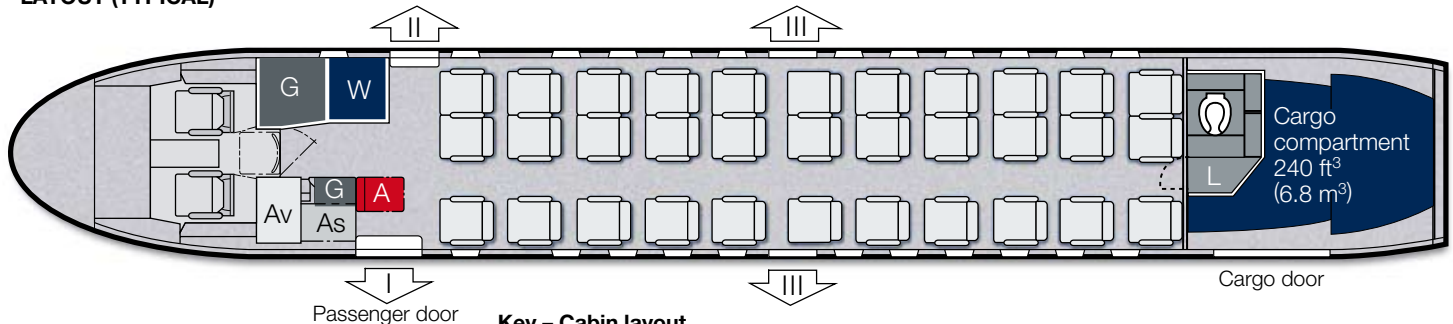
Length	64 ft 9 in	19.73 m
Height	22 ft 11 in	6.97 m
Wing span	70 ft 4 in	21.44 m
Propeller ground clearance	1 ft 8 in	0.51 m
Cargo door (H x W)	51 in x 53 in	1.30 m x 1.35 m
Sill height, passenger door	5 ft 4 in	1.64 m
Sill height, cargo door	5 ft 6 in	1.68 m
Production serial no.	004 – 159	



## ENGINE

	(2) GE CT7-5A2
Maximum take-off power (ISA)	1735 shp
Propeller	Dowty Rotol

## LAYOUT (TYPICAL)



Passenger door

Cargo door

### Key – Cabin layout

As Airstair (stowed)	A Flight attendant's seat	L Lavatory	Exit Door
Av Avionics	G Galley	W Wardrobe	

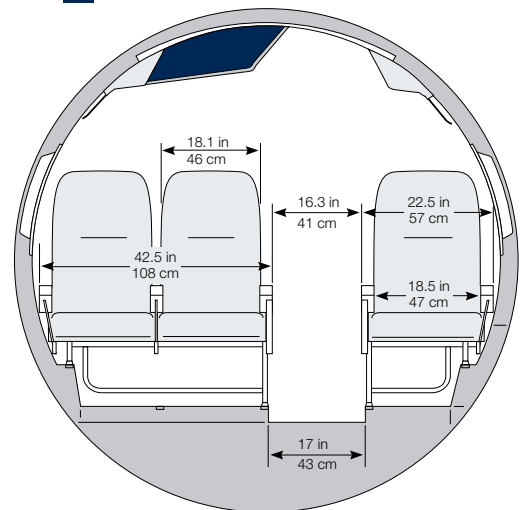
## CAPACITY – aft lav/fwd lav

33/34 seats at 30 inch pitch

Cabin length	34 ft 1 in	10.4 m
Cabin width	7 ft 1 in	2.2 m
Headroom	6 ft 0 in	1.8 m
Aisle width	16.3 in	0.4 m
Max cabin pressure differential	7.0 psi	49.2 kPa
Cabin volume	1180 ft <sup>3</sup>	33.4 m <sup>3</sup>

## BAGGAGE VOLUME

Overhead bin	26.0 ft <sup>3</sup>	0.74 m <sup>3</sup>
Underseat – aft lav/fwd lav	40.8/42.3 ft <sup>3</sup>	1.16/1.20 m <sup>3</sup>
Rear cargo – aft lav/fwd lav	240/295 ft <sup>3</sup>	6.80/8.35 m <sup>3</sup>
Baggage volume/pax – aft lav/fwd lav	9.3/10.7 ft <sup>3</sup>	0.26/0.32 m <sup>3</sup>



Gen I

The contents of this data sheet are based on the latest information available to Saab Aircraft Leasing. While given in good faith, it should not be taken as establishing any commitment on the part of Saab Aircraft Leasing or used for flight operations.

©2009 Saab Aircraft Leasing