



# SAAB

# SAAB 340A CARGO



## LEADING PARTICULARS

Maximum take-off weight	28500 lb	12925 kg
Maximum landing weight	27200 lb	12340 kg
Maximum zero fuel weight	25700 lb	11660 kg
Operational empty weight (average)	17200 lb	7800 kg
Maximum payload	8500 lb	3860 kg
Maximum fuel capacity	5690 lb	2580 kg
Cargo compartment	Class E	
Maximum cruise speed	271 kt	
Maximum operating altitude	25000 ft	7620 m

## AIRFIELD PERFORMANCE

SL, optimal flaps		ISA	ISA +10°C	ISA +20°C
Maximum take-off weight	lb	28500	28500	28500
	kg	12925	12925	12925
Take-off distance required	ft	4315	4560	5375
	m	1315	1390	1640
5000 ft MSL, optimal flaps		ISA	ISA +10°C	ISA +20°C
Maximum take-off weight	lb	28500	28500	26705
	kg	12925	12925	12115
Take-off distance required	ft	6965	7780	6595
	m	2125	2370	2010

## SECTOR PERFORMANCE

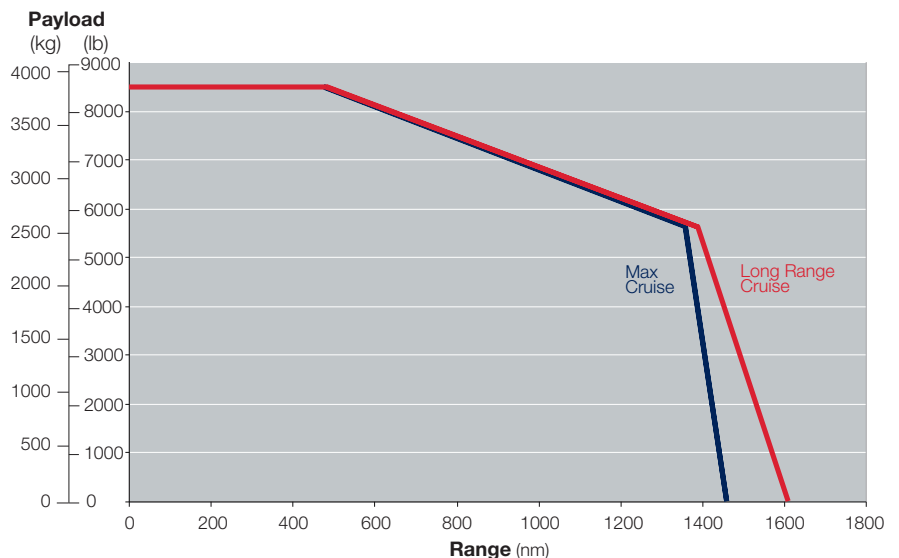
SL, ISA, optimal flaps, max cruise		100 nm	200 nm	300 nm	400 nm	500 nm
Take-off weight	lb	27215	27615	27985	28305	28500
	kg	12345	12525	12695	12840	12925
Block fuel	lb	605	990	1340	1645	1945
	kg	275	450	610	745	880
Block time (5 min ground time)	min	35	59	81	106	132
CARGO	lb	8500	8500	8500	8500	8385
	kg	3860	3860	3860	3860	3805
5000 ft MSL, ISA +20°C, optimal flaps, max cruise		100 nm	200 nm	300 nm	400 nm	500 nm
Take-off weight	lb	26705	26705	26705	26705	26705
	kg	12115	12115	12115	12115	12115
Block fuel	lb	585	955	1295	1580	1860
	kg	265	435	585	715	845
Block time (5 min ground time)	min	34	58	79	103	128
CARGO	lb	8085	7705	7355	7060	6765
	kg	3665	3495	3335	3200	3070

## PAYLOAD RANGE

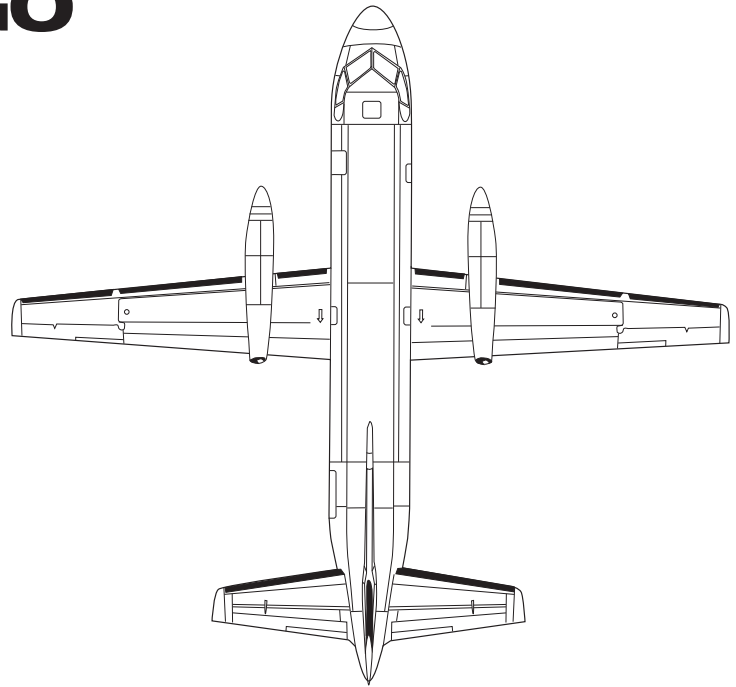
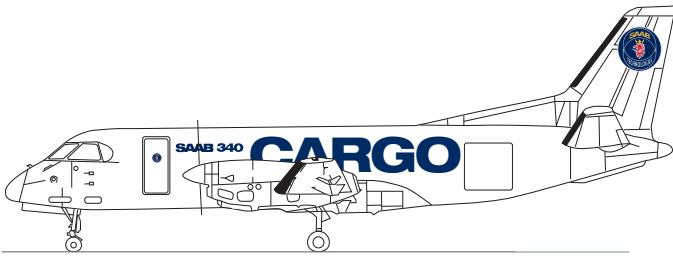
	Max cruise	Long range cruise
Maximum payload	475 nm	482 nm

## CERTIFIED NOISE LEVELS

	EPNdB	
Fly-over	77.9	
Sideline	85.9	
Approach	91.7	

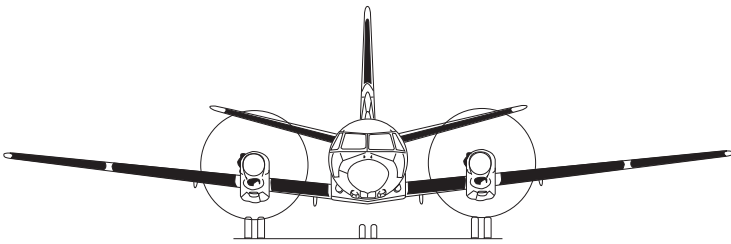


# SAAB 340A CARGO

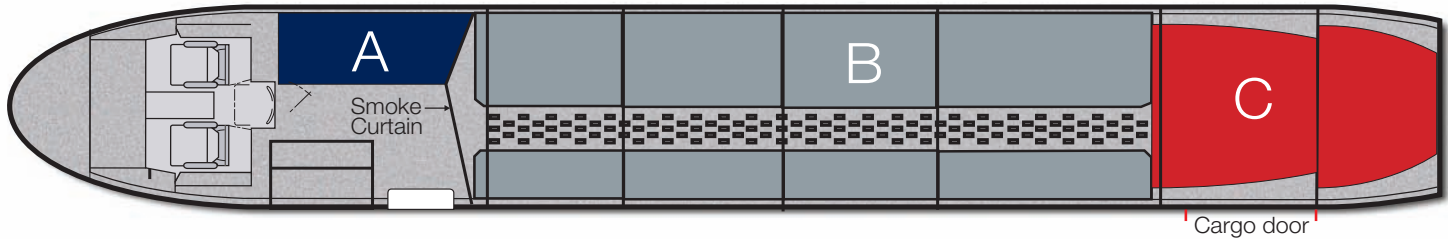


## LEADING PARTICULARS

Length	64 ft 9 in	19.73 m
Height	22 ft 11 in	6.97 m
Wing span	70 ft 4 in	21.44 m
Propeller ground clearance	1 ft 8 in	0.51 m
Cargo door (H x W)	51 in x 53 in	1.30 m x 1.35 m
Sill height, forward door	5 ft 4 in	1.64 m
Sill height, cargo door	5 ft 6 in	1.68 m
Production serial nos.	available for 004 – 159	



LAYOUT (TYPICAL)



<b>ENGINE</b>	(2) GE CT7-5A2
Maximum take-off power (ISA)	1735 shp
Propeller	Dowty Rotol

	Length		Volume		Floor load limits	
<b>Section A</b>	6 ft 11 in	2.1 m	75 ft <sup>3</sup>	2.1 m <sup>3</sup>	75 lb/ft <sup>2</sup>	365 kg/m <sup>2</sup>
<b>Section B</b>	25 ft 10 in	7.9 m	864 ft <sup>3</sup>	24.3 m <sup>3</sup>	100/150* lb/ft <sup>2</sup>	485/730* kg/m <sup>2</sup>
<b>Section C</b>	10 ft 5 in	3.2 m	331 ft <sup>3</sup>	9.4 m <sup>3</sup>	150 lb/ft <sup>2</sup>	730 kg/m <sup>2</sup>
<b>Total</b>	<b>43 ft 2 in</b>	<b>13.2 m</b>	<b>1270 ft<sup>3</sup></b>	<b>35.8 m<sup>3</sup></b>	*using spreaders as per 340 cargo WBM	

