



SAAB

SAAB 340A CARGO



LEADING PARTICULARS

Maximum take-off weight	28500 lb	12925 kg
Maximum landing weight	27200 lb	12340 kg
Maximum zero fuel weight	25700 lb	11660 kg
Operational empty weight (average)	17200 lb	7800 kg
Maximum payload	8500 lb	3860 kg
Maximum fuel capacity	5690 lb	2580 kg
Cargo compartment	Class E	
Maximum cruise speed	271 kt	
Maximum operating altitude	25000 ft	7620 m

AIRFIELD PERFORMANCE

SL, optimal flaps		ISA	ISA +10°C	ISA +20°C
Maximum take-off weight	lb	28500	28500	28500
	kg	12925	12925	12925
Take-off distance required	ft	4425	4675	4900
	m	1350	1425	1495
5000 ft MSL, optimal flaps		ISA	ISA +10°C	ISA +20°C
Maximum take-off weight	lb	28500	28325	26870
	kg	12925	12850	12190
Take-off distance required	ft	7405	7995	7375
	m	2255	2435	2250

SECTOR PERFORMANCE

		FAR Part 135 operations					FAR Part 121 operations				
		100 nm	200 nm	300 nm	400 nm	500 nm	100 nm	200 nm	300 nm	400 nm	500 nm
SL, ISA, optimal flaps, max cruise											
Take-off weight	lb	26345	26725	27075	27370	27665	27370	27755	28105	28410	28500
	kg	11950	12120	12280	12415	12550	12415	12590	12750	12885	12925
Block fuel	lb	605	985	1330	1630	1925	605	990	1340	1645	1945
	kg	275	445	605	740	875	275	450	610	745	880
Block time (5 min ground time)	min	35	59	81	105	130	35	59	81	106	132
CARGO	lb	7500	7500	7500	7500	7500	8500	8500	8500	8500	8295
	kg	3400	3400	3400	3400	3400	3860	3860	3860	3860	3765
5000 ft MSL, ISA +20°C, optimal flaps, max cruise											
Take-off weight	lb	26280	26650	26870	26870	26870	26870	26870	26870	26870	26870
	kg	11920	12090	12190	12190	12190	12190	12190	12190	12190	12190
Block fuel	lb	585	955	1295	1580	1865	585	955	1295	1580	1865
	kg	265	435	585	715	845	265	435	585	715	845
Block time (5 min ground time)	min	34	57	79	104	128	34	58	79	104	128
CARGO	lb	7500	7500	7380	7100	6825	8075	7715	7380	7100	6825
	kg	3400	3400	3350	3220	3095	3665	3500	3350	3220	3095

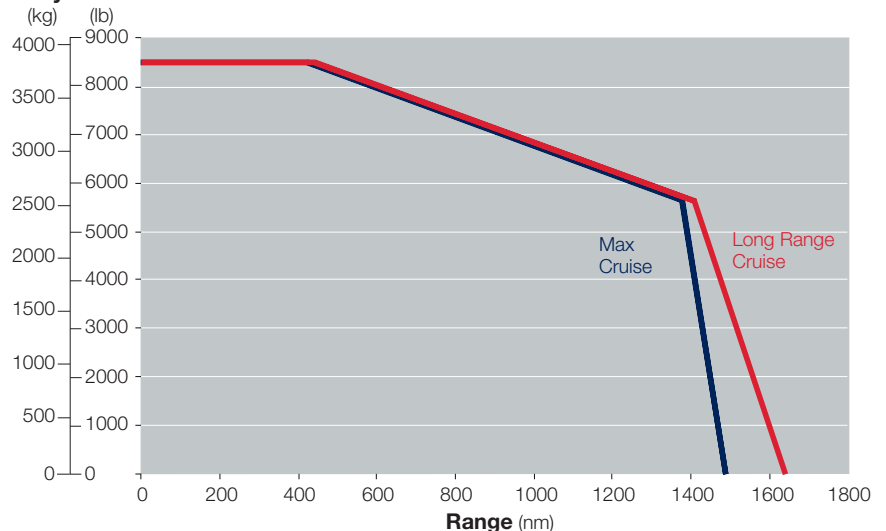
PAYLOAD RANGE

	Max cruise	Long range cruise
Maximum payload (FAR Part 121 operations)	425 nm	440 nm
Maximum payload (FAR Part 135 operations)	770 nm	780 nm

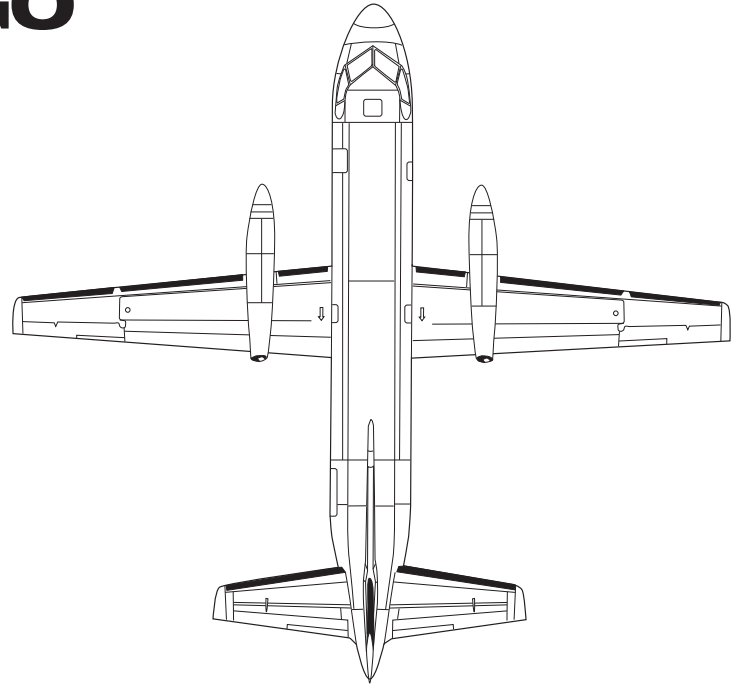
CERTIFIED NOISE LEVELS

	EPNdB	
Fly-over	EPNdB	78.6
Sideline	EPNdB	85.9
Approach	EPNdB	91.5

Payload

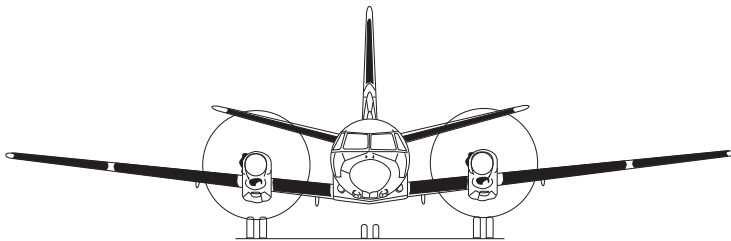


SAAB 340A CARGO

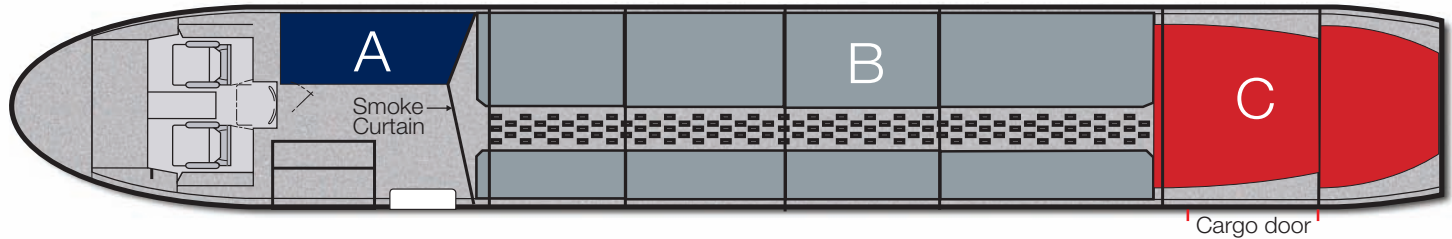


LEADING PARTICULARS

Length	64 ft 9 in	19.73 m
Height	22 ft 11 in	6.97 m
Wing span	70 ft 4 in	21.44 m
Propeller ground clearance	1 ft 8 in	0.51 m
Cargo door (H x W)	51 in x 53 in	1.30 m x 1.35 m
Sill height, forward door	5 ft 4 in	1.64 m
Sill height, cargo door	5 ft 6 in	1.68 m
Production serial nos.	available for 004 – 159	



LAYOUT (TYPICAL)



ENGINE	(2) GE CT7-5A2
Maximum take-off power (ISA)	1735 shp
Propeller	Dowty Rotol

	Length		Volume		Floor load limits	
Section A	6 ft 11 in	2.1 m	75 ft ³	2.1 m ³	75 lb/ft ²	365 kg/m ²
Section B	25 ft 10 in	7.9 m	864 ft ³	24.3 m ³	100/150* lb/ft ²	485/730* kg/m ²
Section C	10 ft 5 in	3.2 m	331 ft ³	9.4 m ³	150 lb/ft ²	730 kg/m ²
Total	43 ft 2 in	13.2 m	1270 ft³	35.8 m³	*using spreaders as per 340 cargo WBM	

